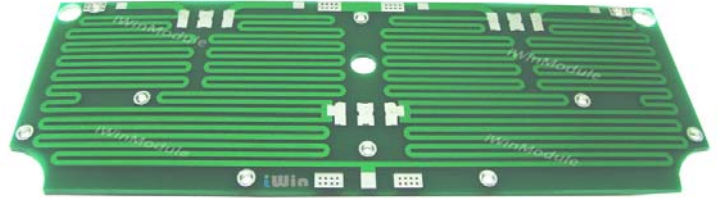


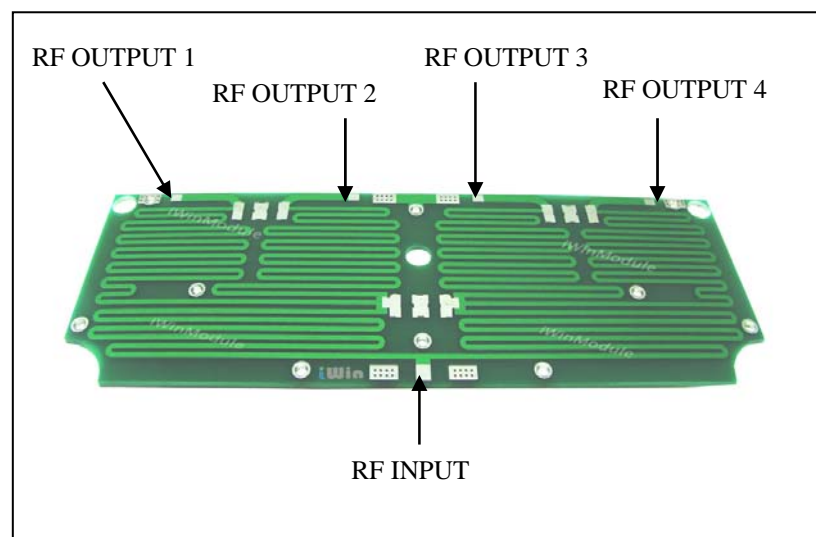
## 4 ways FM Splitter

The **4SP-FM** designed for FM radio transmitter.  
For two way splitter.

- 87.5 – 108 MHz
- 4 ways splitter
- FR4 laminate 1.6 mm thickness
- Input/Output 50 ohm
- Power rating: 50 Watt
- Accepts for resistor 100 ohm x 3 set
- Weight 0.05 kg.



## Electrical Connection



Dimensions (L x W x H) : 69 x 205 x 2 mm