

150W FM Pallet Amplifier

The **A150-FM** designed for FM radio transmitter. This Amplifier incorporates micro strip technology And MOSFET transistor to enhance ruggedness and reliability.

- 87.5 – 108 MHz
- 48 Volts
- Input/Output 50 ohm
- Pout: 150W min.
- Gain: 17 dB min.
- Devices : SD2941-10



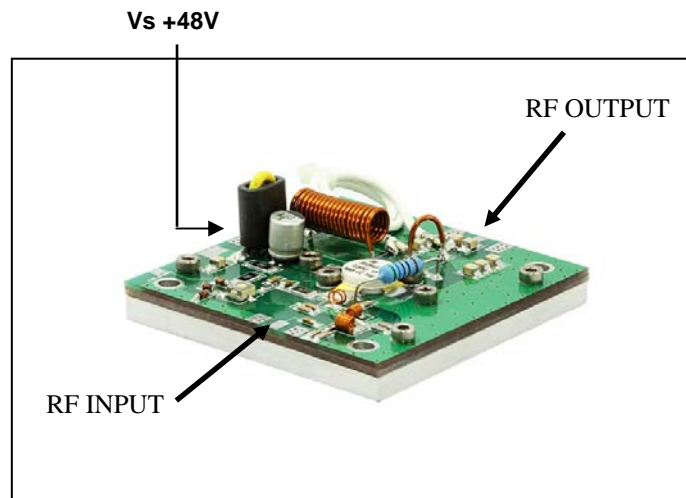
Absolute Maximum Ratings

Symbol	Parameter	Value	Units
Vs	Drain Voltage Supply	50	V dc
Is	Supply Current	6	A dc
VSWR	Load Mismatch	3 : 1	
Tsg	Storage Temperature Range	-30 +100	C
Tc	Operating Temperature	-10 +50	C

Specifications (T_{base} = 25 C, Vs = 48V)

Characteristics	Min	Type	Max	Units
Operating Frequency	87.5		108	MHz
Fundamental Pout		150		W
Power Input	4	4.5	5.0	W
Power Gain	16	17		dB
Collector Efficiency	75	80		%
Input VSWR		>1.5:1		
Insertion Phase Variation (Unit to unit)		+10		Degree
Power Gain Variation (Unit to Unit)				dB
F2 Second Harmonic	-35			dB
F3 Second Harmonic	-45			dB

Electrical Connection



Dimensions (L x W x H) : 77 x 77 x 30 mm [3.1" x 3.1" x 1.2"]